

Field Measurement Instructions

For Series 1000 Male Master & Female Adapter

Before you begin...

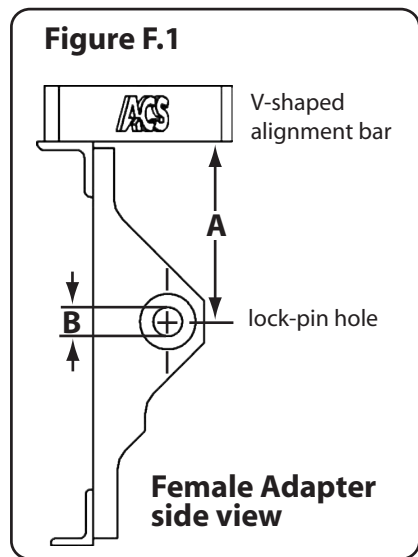
You will need a measuring tape, pen or pencil and a straight edge - either 4' level or a length of straight [not bowed or twisted] 2x4. These instructions contain blank tables on which you can write down your measurements and fax them to ACS.

The following instructions will show you how to find the required measurements (5 on the Female Adapter and 5 on the Male Master).

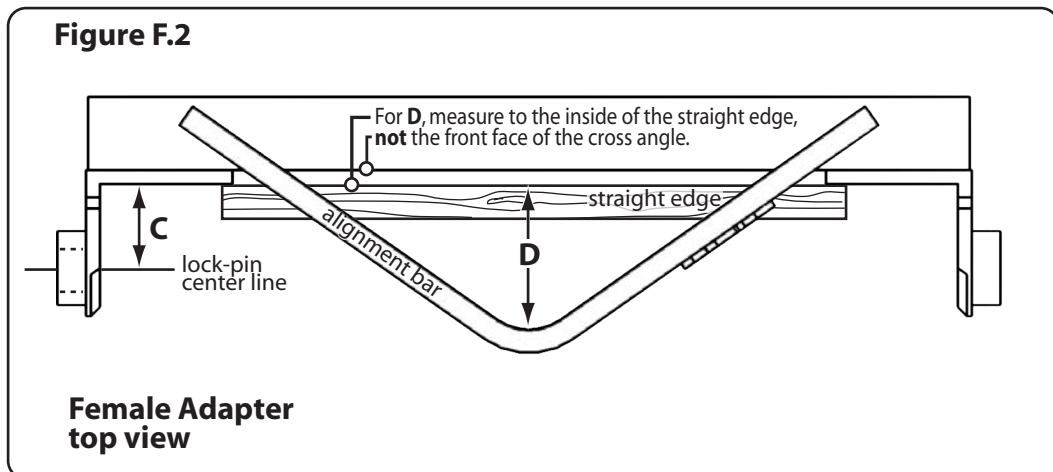
Measuring the FEMALE ADAPTER

Note: The Female Adapter is welded to the rear of the attachment (Bucket, Fork, etc.)

- 1) Measure the distance **A** [see Figure F.1] from the *underside* of the V-shaped alignment bar to the *center line* of the lock-pin hole.
- 2) Measure the **B** [see Figure F.1] *inside* diameter of the lock-pin hole.



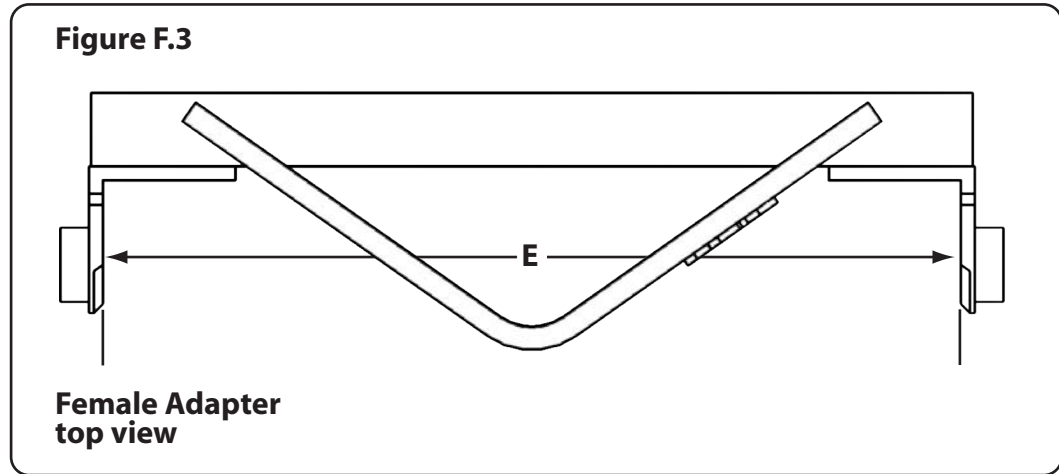
- 3) Measure the distance **C** [see Figure F.2] from the *inside* working face of the coupler to the *center line* of lock-pin hole.
- 4) Measure the distance **D** [see Figure F.2] from the back side of the straight edge to the inside diameter of the V-shaped alignment bar.



Field Measurement Instructions

For Series 1000 Male Master & Female Adapter

5) Measure the distance **E** [see Figure F.3] between the *inside* faces of the coupler sides.



You are now finished measuring the Female Adapter.

Just fill in the blanks on the table below with your dimensions, fax it to us and we'll take it from there. If you also need to measure the Male Master, please continue to step 6 on the following page.

ACS Fax:
(330) 678-0859

To:
 ACS Sales Contact _____

From:
 Name _____

Phone _____

Dimension	Female Adapter Measurements
A	
B	
C	
D	
E	

Field Measurement Instructions

For Series 1000 Male Master & Female Adapter

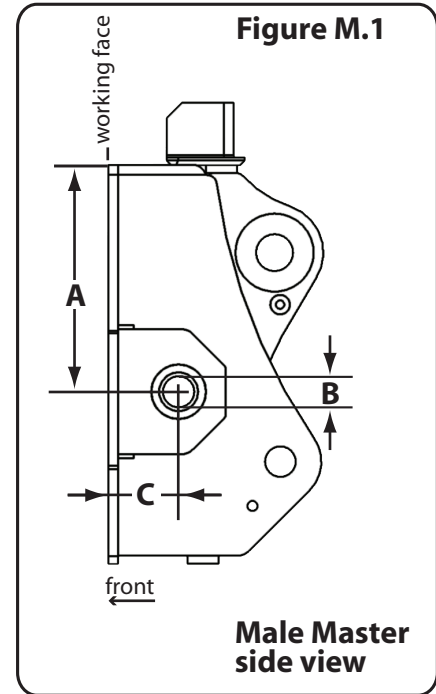
Measuring the MALE MASTER

Note: Male Master is pinned to the wheel loader boom arms and is equipped with two cylinders.

6) Measure the distance **A** [see Figure M.1] from the *top face* of the coupler tube to the lock-pin centerline.

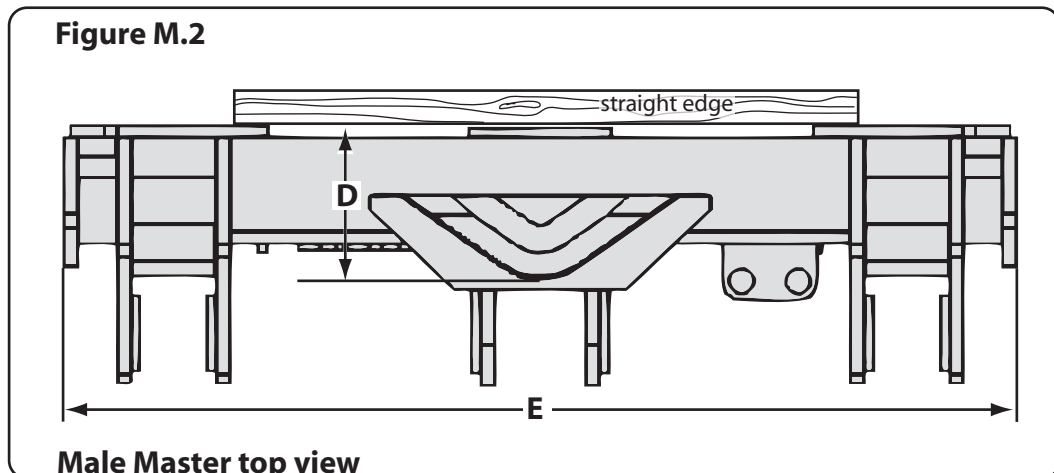
7) Measure the diameter **B** [see Figure M.1] of the lock-pin. It may be easier to measure if you extend the lock pin.

8) Measure the distance **C** [see Figure M.1] between the *lock-pin centerline* and the *front working face* of the coupler.



9) Measure the distance **D** [see Figure M.2] from the inside of the straight edge to the farthest outside curve of the coupler snout.

10) Measure the distance **E** [see Figure M.2] between both outside faces of the lock-pin housings.



11) If you have not already, record your measurements on the table provided on the last page of this document (page 4) and fax it to ACS.



Field Measurement Fax Sheet

Corporate Office:
800-321-2348
Fax: 330-678-0859

INSTRUCTIONS:

Just fill in the blanks on the table below with your dimensions, fax it to us and we'll take it from there.

Dimension	Male Adapter Measurements
A	
B	
C	
D	
E	

ACS Fax: (330) 678-0859

To: ACS Sales Contact _____

From: Name _____

Phone _____